



DREDGEMASTER

The Notus Dredgemaster is a wireless dredge monitoring system. Its design is based on more than 25 years of experience. Notus has worked closely with customers to offer sensors that provide reliable, real time data and convenience of use. With our unique and reliable Activ-Omni Intelligence, Notus is the only dredge monitoring system to boast two-way communication, offering warp lengths, AND true omnidirectional capabilities, providing sensor data when it's needed most. The Notus Dredgemaster provides optimal performance, for superior results.



OPTIMAL PERFORMANCE SUPERIOR RESULTS

The Notus Difference

Notus sensors boast an active, **two-way communication system**, not offered by other gear monitoring systems. Instead of relying on traditional one-way pingers, Notus systems 'talk' to each other via proven two-way protocols. Using this reliable technology, Notus is the **ONLY** system capable of delivering warp lengths, giving a true view of the gear.

Variable data rates:
5, 10, 20 and 60 second intervals

Notus is the only system to offer **true, omnidirectional pattern beams** in all our gear monitoring sensors. This is critical when dredging in less than ideal conditions when information is needed most.

With Notus Activ-Omni Intelligence, achieve optimal performance, for superior results.



DREDGEMASTER

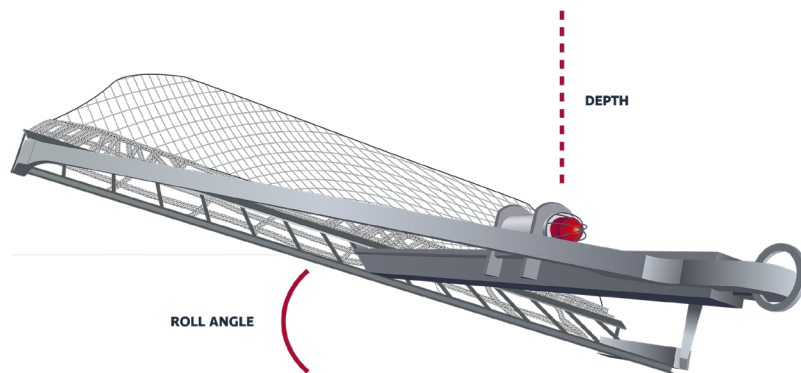
Dredgemaster is a wireless monitoring system for dredges. Small, robust sensors are installed on the dredges. Vital dredge angle and warp length information is transmitted to the vessel:

- Pitch Angle: This is the forward and backward tilt of the dredge. If the pitch angle is incorrect, the dredge does not dig into the bottom correctly. Pitch angle indicates if the bag is full. This feature alone can cut tow times in half.
- Heel Angle: This is the side tilt of the dredge. See instantly if the dredge begins to roll over.
- Starboard and Port Warp Lengths: Indicate the exact amount of warp let out on each dredge.

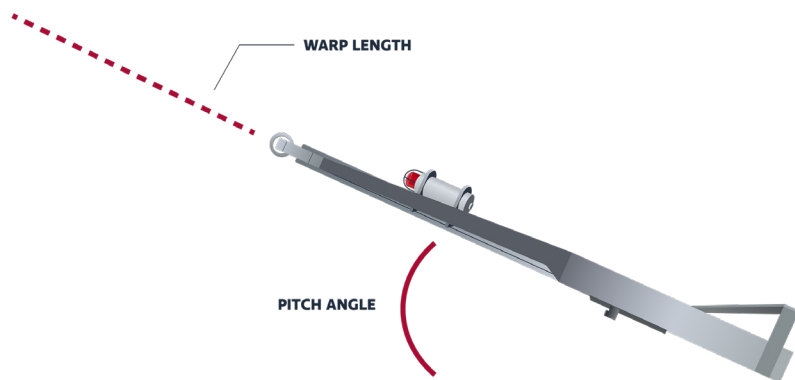
For example: easily set out 317 fathoms of warp to get a precise pitch angle on the dredges.

H36G Starboard Warp Length	81.8Fa	Warp Out Increased by 20 fa	H36G Starboard Warp Length	103.6Fa
F76G Port Warp Length	77.5Fa		F76G Port Warp Length	99.4Fa
E16D Starb Depth	25.4Fa	Dredge Angles Down an Extra 5°	E16D Starb Depth	26.5Fa
E80D Port Depth	24.7Fa		E80D Port Depth	25.6Fa
H36G Starb Pitch (Forward/Backward)	14.2°	Roll Angle Does Not Change	H36G Starb Pitch (Forward/Backward)	9.1°
F76G Port Pitch (Forward/Backward)	19.6°		F76G Port Pitch (Forward/Backward)	10.9°
J00G Starb Roll (Side/Side)	149.6m 1.9°		J00G Starb Roll (Side/Side)	189.1m 3.0°
D84G Port Roll (Side/Side)	167.0m 4.5°		D84G Port Roll (Side/Side)	162.0m 3.2°

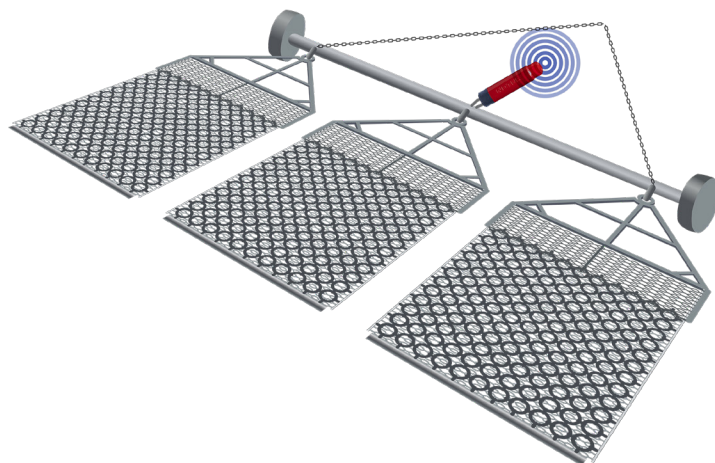
DREDGEMASTER



Dredgemaster
Roll Angle

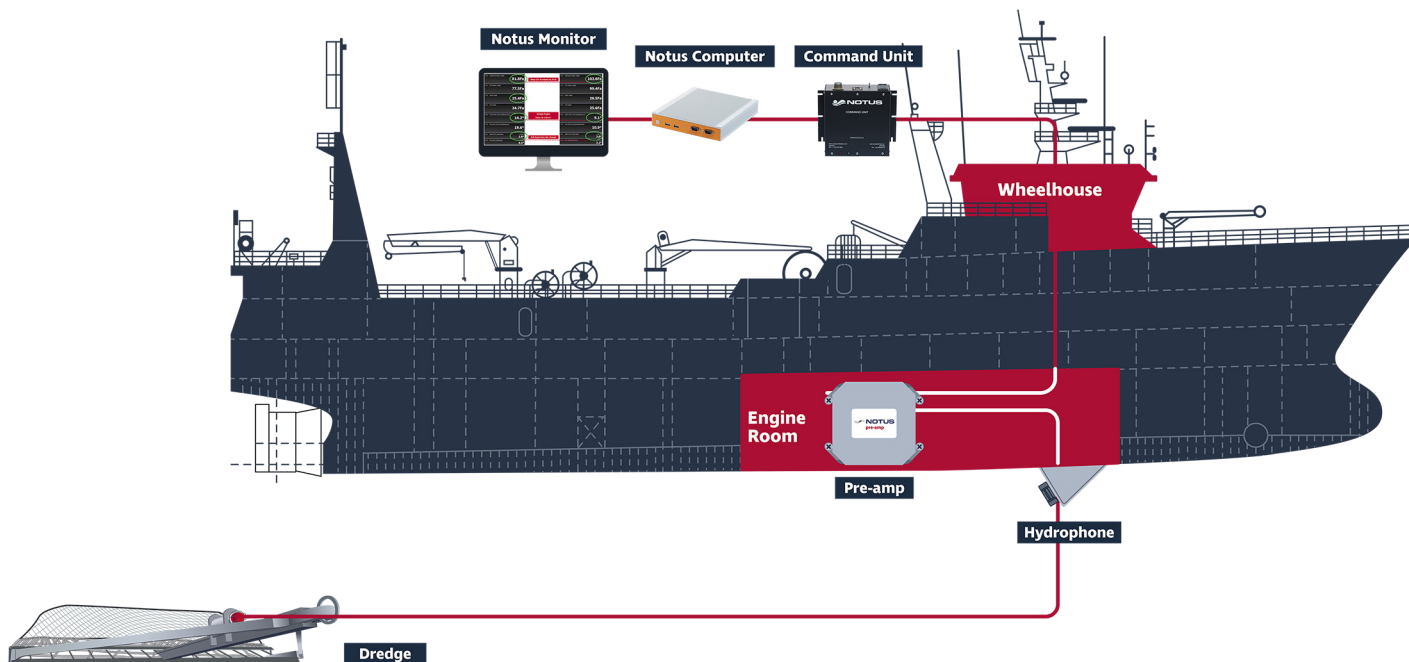


Dredgemaster
Pitch



Dredgemaster
Triple Dredge

SYSTEM SET UP & COMPONENTS



Command Unit

Capabilities: 1000 Code Capability
 Frequency: 24 kHz
 Serial Output to PC
 Power: 120/240 VAC



Charger

Power: 120/240 VAC
 Charge Time: 90 minutes
 Charger: 1 to 4 sensors
 simultaneously



Dredge Hydrophone

Beam Pattern: 70° Vertical,
 60° Horizontal
 Output: 192 db Tx
 Range: 2500+ m



Sensors (General specifications)

Range: Up to 2500+ m
 Weight: 1.1 kg in water
 Battery Capacity: Full Trip Capability
 Deployable Depth: 1500 m

SPECIFICATIONS

DREDGE HEEL ANGLE AND DREDGE PITCH ANGLE



Sensors

Distance Range	Up to 2500+ m
Accuracy	+/- 0.5 m
Resolution	+/- 0.1 m
Weight	1.1 kg in water
Battery Capacity	Full Trip Capability
Deployable Depth	1500 m

NOTES



NOTUS

For videos, photos, brochures, trawl tools and more,
please go to www.notus.ca

Videos
Photos
Brochures
Trawl Tools



www.notus.ca

Notus Electronics Ltd

391 Empire Ave
St. John's, NL, A1E 1W6
Canada
Tel: +1 709 753 0652
Fax: +1 709 753 0651
notus@notus.ca
www.notus.ca

Notus Maritima S.L.

Oficina D10, Zona Franca
Vigo, 36208
Spain
Tel: + 34 6977 15 901
Fax: + 34 9862 48 518
notus@notus.ca
www.notus.ca